

AL, BL Series Lubricator



Ordering Code

BL **2000**

Series
AL: Small Size
BL: Middle Size

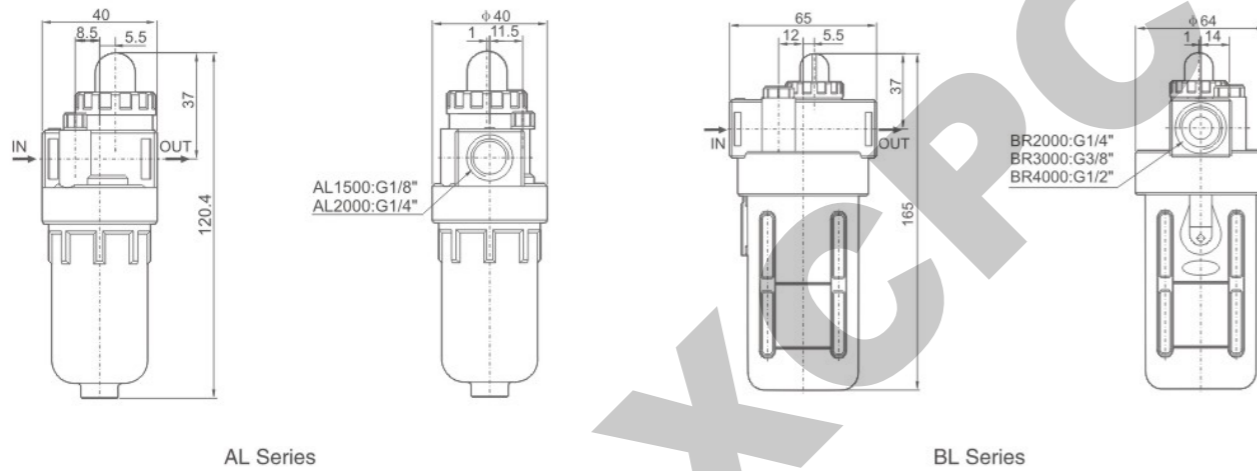
Port Size
1500: G1/8"
2000: G1/4"
3000: G3/8"
4000: G1/2"



Specification

Model	AL1500	AL2000	BL2000	BL3000	BL4000
Operating Fluid	Air				
Port Size	G1/8"	G1/4"	G1/4"	G3/8"	G1/2"
Ensured Pressure Resistance	1.5MPa				
Operating Temperature Range	5~60°C				
Suggested Lube	ISO VG 32 or Same Grade Oil				
Capacity of Oil Feed Cup	25 cc		90 cc		
Body	Aluminum Die-casting Forming				
Material	Container Cup	PE			Iron
Protective Cup Cover	-				

Overall Dimensions



XAC Series Air Source Treatment Unit



Ordering Code

XAC **T** **300** **10A** **D**

Model **Port Size**

XACT300-08A PT1/4"
XACT300-10A PT3/8"
XACT400-08A PT1/4"
XACT400-10A PT3/8"
XACT400-15A PT1/2"

Series Code XAC Series

Function Code F.R.L
Comblanation

Specification code 300
400

Port Size 08A: 1/4"
10A: 3/8"
15A: 1/2"

Drain Type Blank: Manually
D: Auto Drain Type
D (Only For 400)



XAC **P** **300** **10A** **D**

Model **Port Size**

XACP300-08A PT1/4"
XACP300-10A PT3/8"
XACP400-08A PT1/4"
XACP400-10A PT3/8"
XACP400-15A PT1/2"

Series Code XAC Series

Function Code F.R.L
Comblanation

Specification code 300
400

Port Size 08A: 1/4"
10A: 3/8"
15A: 1/2"

Drain Type Blank: Manually
D: Auto Drain Type
D (Only For 400)



XAC **FR** **300** **10A** **D**

Model **Port Size**

XACFR300-08A PT1/4"
XACFR300-10A PT3/8"
XACFR400-08A PT1/4"
XACFR400-10A PT3/8"
XACFR400-15A PT1/2"

Series Code XAC Series

Function Code Filter & Regulator

Specification code 300
400

Port Size 08A: 1/4"
10A: 3/8"
15A: 1/2"

Drain Type Blank: Manually
D: Auto Drain Type
D (Only For 400)



XAC **F** **300** **10A** **D**

Model **Port Size**

XACF300-08A PT1/4"
XACF300-10A PT3/8"
XACF400-08A PT1/4"
XACF400-10A PT3/8"
XACF400-15A PT1/2"

Series Code XAC Series

Function Code Filter

Specification code 300
400

Port Size 08A: 1/4"
10A: 3/8"
15A: 1/2"

Drain Type Blank: Manually
D: Auto Drain Type
D (Only For 400)



XAC **L** **300** **10A**

Model **Port Size**

XACL300-08A PT1/4"
XACL300-10A PT3/8"
XACL400-08A PT1/4"
XACL400-10A PT3/8"
XACL400-15A PT1/2"

Series Code XAC Series

Function Code Lubricator

Specification code 300
400

Port Size 08A: 1/4"
10A: 3/8"
15A: 1/2"



XAC **R** **300** **10A**

Model **Port Size**

XACR300-08A PT1/4"
XACR300-10A PT3/8"
XACR400-08A PT1/4"
XACR400-10A PT3/8"
XACR400-15A PT1/2"

Series Code XAC Series

Function Code Regulator

Specification code 300
400

Port Size 08A: 1/4"
10A: 3/8"
15A: 1/2"